

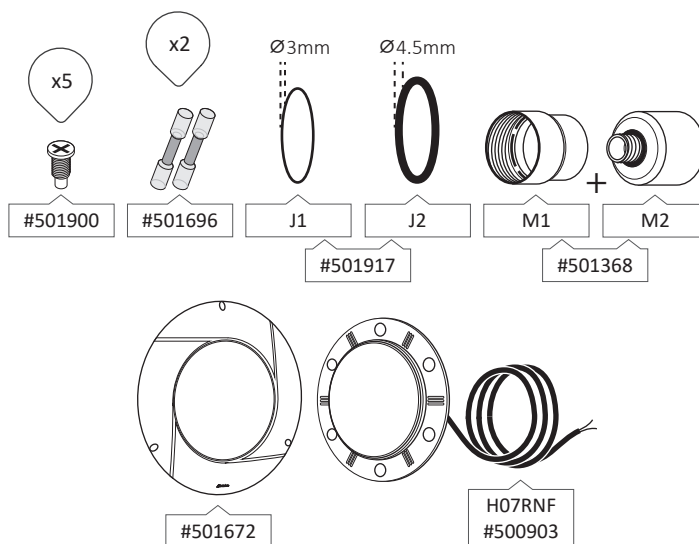
FLAT LED PROJECTOR FOR SWIMMING POOL – WHITE LIGHTING



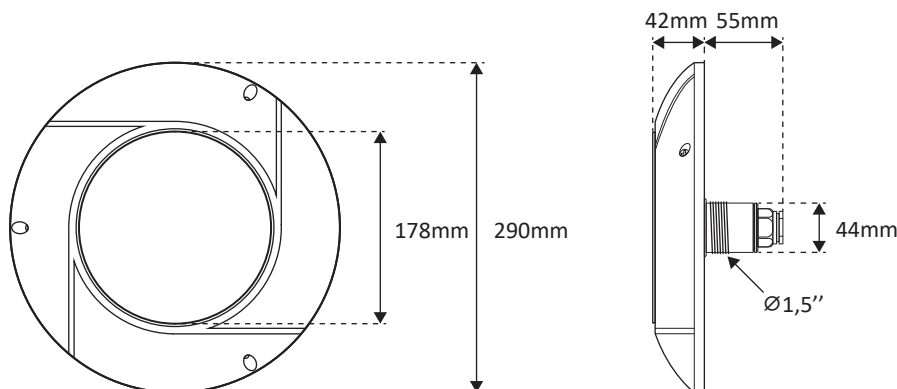
Model : **502860**
 Type : 60 LED 3528 / 120°
 Color : cold white 6500K
 Control : On/Off
 Material : Fixture and lens in polycarbonate (PC), ring in ASA
 1,5" threat to screw in vacuum fitting
 Wire connection : 2 screw terminals
 2 meters HO7RNF wire 2x1,5mm²
 HS code : 9405403990
 Bar code : 3700450502860

Option :
 - Above ground pool installation kit (#501009)

CONTENTS OF THE PACKAGING



DIMENSIONS



PACKING

Part Number	Box	Weight	Size	Carton	Weight	Size	Pallet	Weight	Size
502877	1U	1,46kg	30x30x11,5cm	5U	8,3kg	60x32x32cm	180U	310kg	100x120x207cm

PHOTOMETRY

Ra (IRC) : 85
 Beam angle : 120°
 Nominal luminous flux : 1450 lumens max.
 Extractable light source : ALP01
 Light source energy class : D
 This swimming pool luminaire contains an extractable LED light source of type ALP01 and energy class (D)



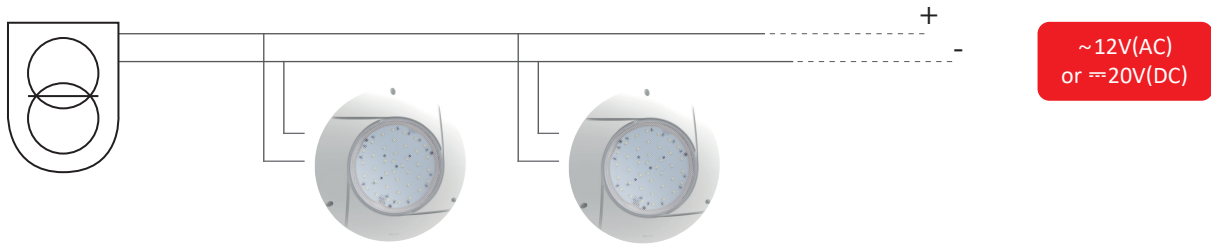
ELECTRICAL PARAMETERS

Instant power max : 13W
 Input voltage : ~12V(AC) 50/60Hz or =20V(DC)
 PF max : 0,7 if ~12V(AC)
 PF max : 1 if =20V(DC)
 Mini power supply ~12V(AC) [(Pi /PF)+20%] : 23VA
 Electrical Class : III



CONNECTION

Use a 2 x 1mm² minimum cross section of connecting cable, to adapt according to the distance between the junction box of the projector and the transformer well as the power input.



USE ONLY WITH A SAFETY TRANSFORMER / DO NOT PLUG IN SERIES /
PROTECT THE CONNECTOR WITH INSULATING GEL

OTHER PARAMETERS

Protection index : IP68
 LED life span : > 10 000h
 On/Off cycles : > 100 000
 Use : This pool light is designed for use in permanent immersion in water with a IP68 waterproof rating. The spin welding assembly process of the optical part with its support, does not allow its reparability. The light source is not replaceable and in case of failure, it is necessary change all the luminaire.



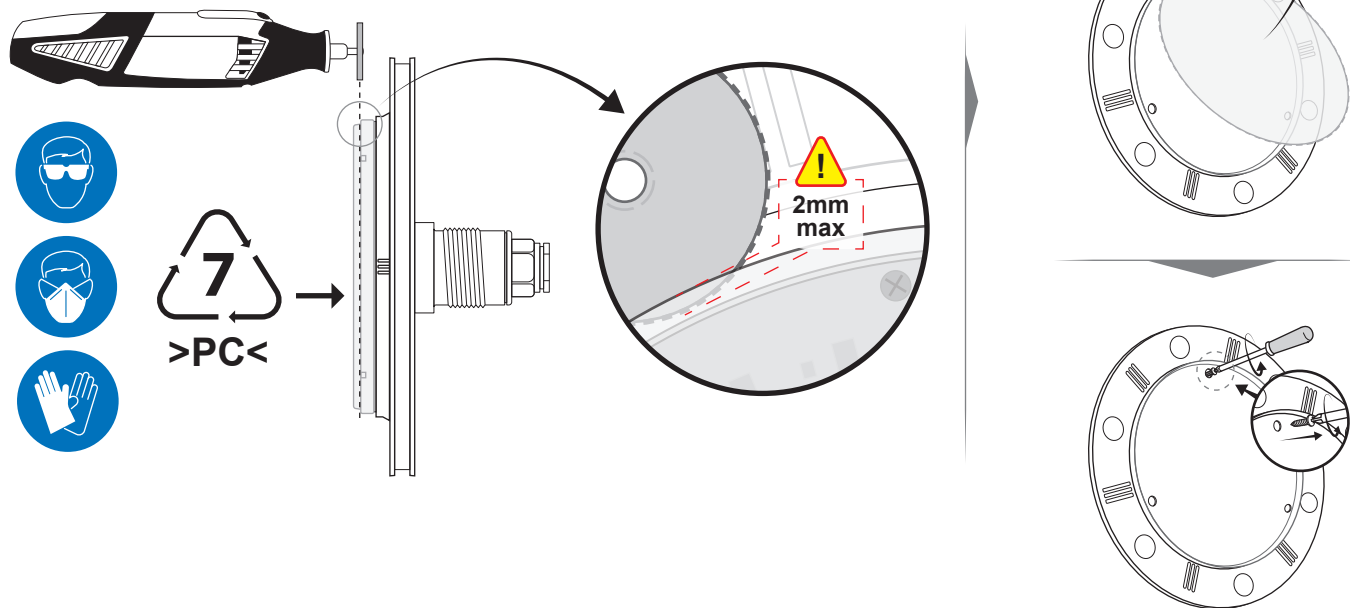
CERTIFICATION

EMC 2014/30/EU Directive.
 EN60598-1 / EN60598-2-18 Norm in all its modifications.

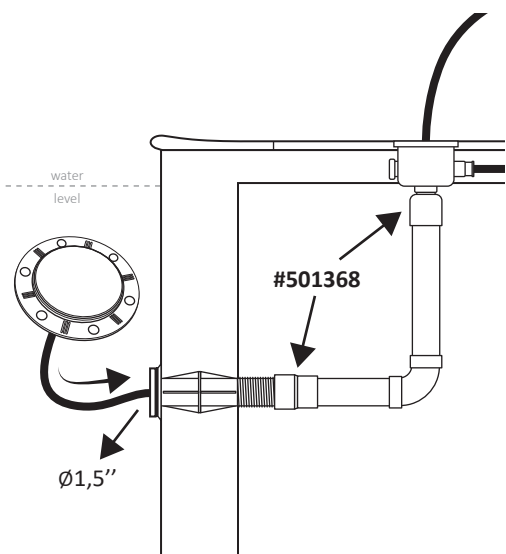


VARIOUS

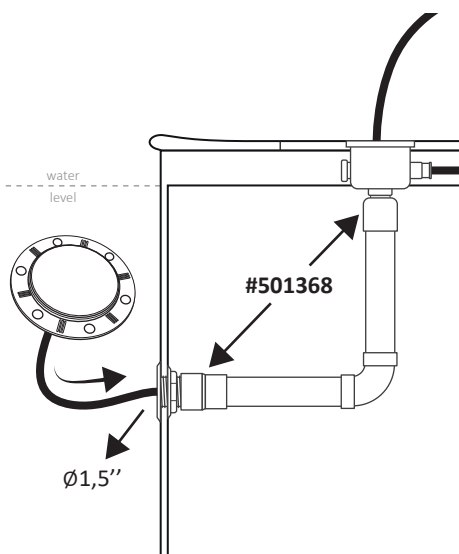
To extract the light source, please follow the instructions below :



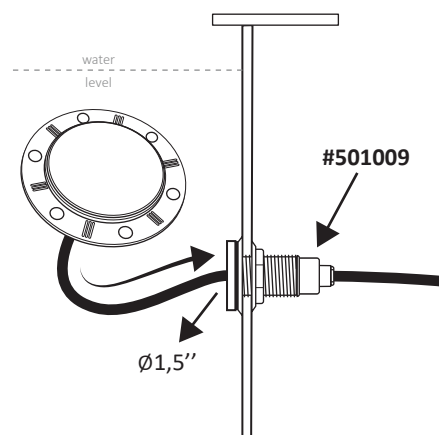
PRINCIPLE OF INSTALLATION



Example for in-ground pools with liners



Example for thin-walled in-ground pools



Example for above-ground pools

For more information, see the product leaflet