

REMOTE SWITCH - 1 CHANNEL



Model : **501801**
 Type : 1 channel
 Control : 433Mhz radio remote
 Functions : On/Off
 Material : Gray ABS
 Radio : Articulated outside antenna with screw base
 Connection : Screws terminal 6mm²
 HS code : 8536419090
 Bar code : 3700450501801



Contents of the packaging :

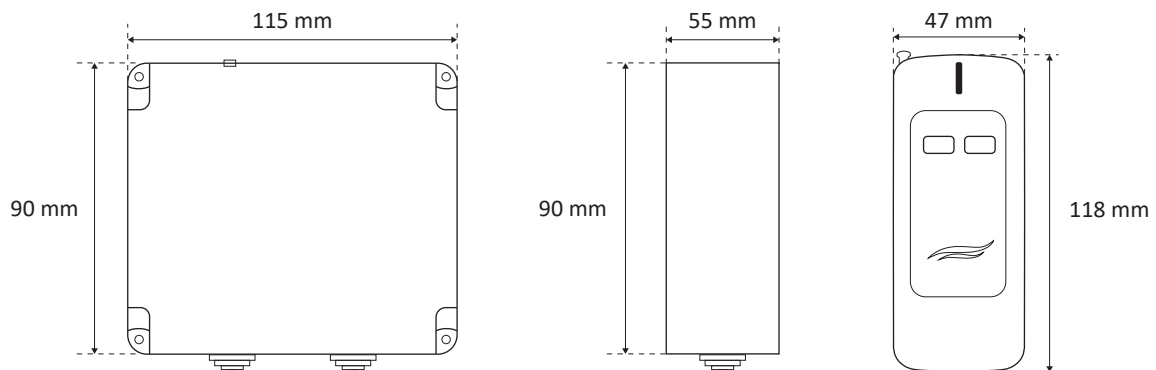
- Remote Switch 1C
- Outdoor antenna (#502587)
- 4 screws M4x22 (#502570)
- 1 fuse 20A
- Radio remote (#501481)
- 1 MN23 battery
- Usage and maintenance manual

Option :

- Deported antenna (#501412)



DIMENSIONS



PACKING

Part Number	Box	Weight	Size	Carton	Weight	Size	Pallet	Weight	Size
501801	1U	0,41kg	14,5x13x6cm	24U	9,75kg	31x65,5x21cm	-	-	-

MISCELLANEOUS

The radio link between the box and its remote control may be subject to external disturbances (concrete, scrap metal, earth, water, electromagnetic fields from other devices). In case of poor reception, it is possible to install a wired remote antenna instead of the antenna supplied with the radio switch, to ensure a direct radio connection with the remote control.




CONNECTION

Use a connection cable with a minimum cross section of 2 x 1mm² to be adapted according to the distance between the projector connection box and the transformer as well as the power consumption.

Max power calculation:

Input(V)	Protection(A)	Power max.(W)
~12V(AC)	20A	12 x 20 = 240W
≍14V(DC)	20A	14 x 20 = 280W
≍20V(DC)	20A	20 x 20 = 400W
≍24V(DC)	20A	24 x 20 = 480W



Take the power factors of all lights and projectors into consideration.

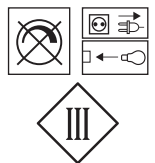
Input ~12V(AC) -> PF = 0,7
Input ≍14V-24V(DC) -> PF = 1



**USE ONLY WITH A SAFETY TRANSFORMER / DO NOT PLUG IN SERIES /
PROTECT THE CONNECTOR WITH INSULATING GEL**

ELECTRICAL PARAMETERS

Input voltage : ~12V(AC) 50/60Hz or ≍14V-24V(DC)
 Input current : 19A max
 Power max : 220W if ~12V(AC) or 450W if ≍14V-24V(DC)
 Electrical class : III
 Input protection : 20A fuse
 Output protection : 20A fuse
 Standby consumption : 80mA



OTHER PARAMETERS

Working temperatures : -40°C / +70°C
 Working humidity : from 10% to 90%
 Cable connection : from 2x1 to 2x6mm²
 Protection index : IP65
 Use : indoor or outdoor sheltered from bad weather



CERTIFICATIONS

EMC 2014/30/EU Directive.
 Radio RED 2014/53/EU Directive.

